

# Voss™ Technical Specification

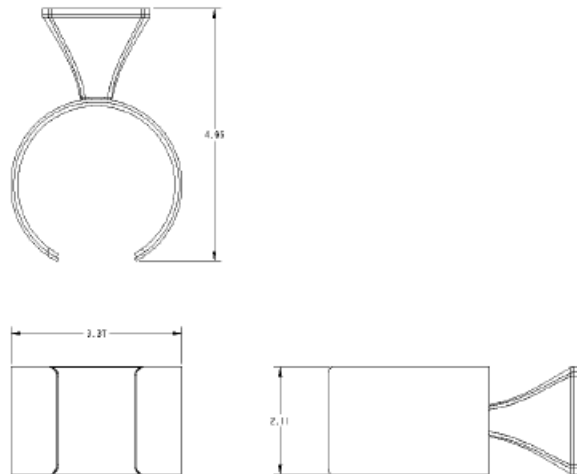
Wall Mounted Hair Dryer Holder

YB5170

## Stock Numbers:

- ❑ YB5170BN – Hair Dryer Holder  
Brushed Nickel Finish
- ❑ YB5170CH – Hair Dryer Holder  
Chrome Finish
- ❑ YB5170ORB – Hair Dryer  
Holder  
Oil Rubbed Bronze Finish

## Dimensions:



## Materials:

Wall Mounted Hair Dryer Holder is constructed of zinc post and stainless steel ring.

## Installation Instructions:

1. Remove the mounting bracket from the body by loosening the setscrew.
2. Position the assembled unit on the wall where desired.
3. Lightly mark the outline of the base.
4. Center a mounting bracket within the base outline **with “UP” facing you.**
5. Attach the mounting bracket to the wall, using the wall anchors provided.
6. Mount the base on the corresponding mounting bracket. Check and make sure that the base set screw hole is facing down. Assemble a set screw to the base. Use the allen wrench included in the hardware kit to tighten the set screw and secure the assembly to the mounting bracket.

## Cleaning Instructions:

To preserve the fine finish of this product, clean only with a soft damp cloth. Dry well. Do not use commercial or abrasive cleaners.

**Stock Number:** \_\_\_\_\_ Hair Dryer Holder  
By Creative Specialties



25300 AL MOEN DRIVE • NORTH OLMSTED, OH 44070  
CORPORATE HEADQUARTERS: (800) 321-8809 • FAX: (800) 848-6636  
INTERNATIONAL: (440) 962-2000 • FAX: (440) 962-2726  
CUSTOMER SERVICE (USA): 800-882-0116 • FAX: (888) 379-2720  
WWW.MOEN.COM

©Copyright Creative Specialties International

Literature #BA1622